



www.dexterlaundry.com

DEXTER STACK DRYER PROGRAMMING PROCEDURES AND FEATURES

DESCRIPTION OF CONTROL

The single electronic control unit controls all coin counting, timing, temperature control and displaying of information for both tumblers.

Each digital display shows vend price when its particular tumbler is waiting for coins to be inserted. When a tumbler is in use, the display shows the number of minutes remaining to be used on that tumbler.

The small green light to the left of the displays flashes to indicate that money has been added to the coin acceptor. The flashing stops when the customer credits the coins to one tumbler or the other by touching a start button or temperature selection button for the appropriate tumbler. At this time the purchased time is reflected by the digital display.

The three temperature selection buttons for each tumbler also have indicator lights to indicate which selection of temperature has been made. At the end of the cycle, the digital display flashes until the operator opens the door to remove his load.

Temperature readout for each tumbler is available by pressing the temperature that is in use along with the start button for that tumbler.

OPERATING INSTRUCTIONS

1. Load clothes into the tumbler and close the door.
2. Deposit the vend price that is shown in the display. Choose the desired temperature for the tumbler to be used and then push the start button.
3. Additional time may be purchased and is added to the displayed time by touching the start button or temperature selection button.

Characteristics of running dryer:

Temperature selection may be changed at any time with the dryer running.

Running time may be extended any time that time is showing on the display even if the added amount is less than the original vend price.

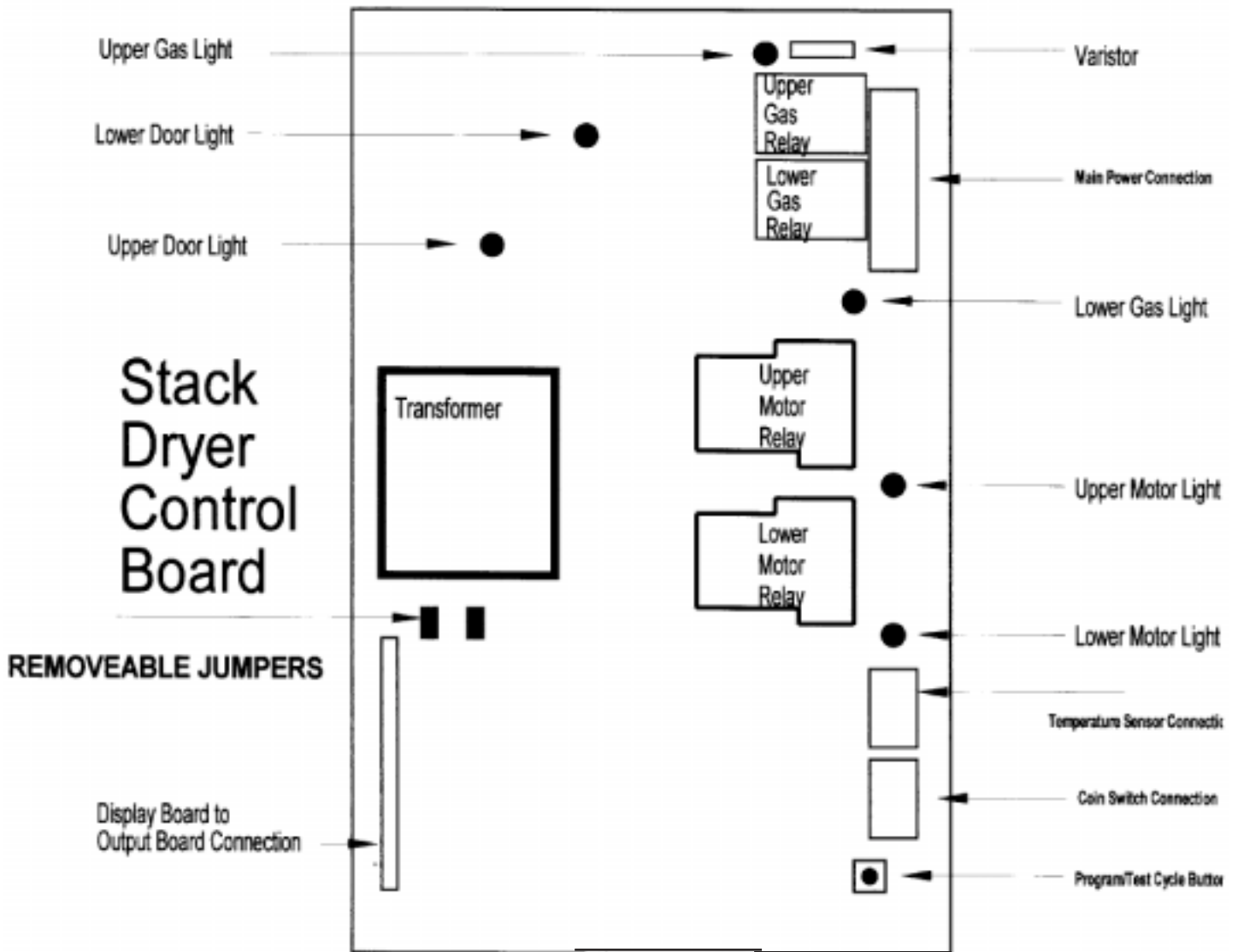
PROGRAMMED DATA:

Adjustable parameters are vend price, temperatures, and cool-down times. Hours run and money count information can be displayed and these registers are resettable to zero.

There are sixteen programming steps. These sixteen steps are: (all temperatures are degrees Fahrenheit).

PROGRAMMING ORIGINAL

STEP	DESCRIPTION	RANGE	INCREMENTS	SETTINGS
00	Lower drum hour meter	0 to 9999 hr.	—	0
01	Upper drum hour meter	0 to 9999 hr.	—	0
02	Left coin audit	0 to \$9999	—	0
03	Right coin audit	0 to \$9999	—	0
04	Hot temp. setting	150-190	5	175
05	Medium temp. setting	120-170	5	150
06	Warm temp. setting	110-150	5	125
07	Left coin input	0-100	5 cents	.10
08	Right coin input	0-100	5 cents	25
09	Vend price	0-100	5 cents	25
10	Time left coin	0-99:55 minutes	5 sec.	3.20
11	Time right coin	0-99:55 minutes	5 sec.	10:00
12	Time for free vend	0-99:55 minutes	5 sec.	10:00
13	Cool down time Hot cycle	0-10:00 minutes	5 sec.	2:00
14	Cool down time Medium	0-10:00 minutes	5 sec.	2:00
15	Cool down time Warm cycle	0-10:00 minutes	5 sec.	2:00
16	Temperature	Type display	Centigrade or Fahrenheit	C or F



DEXTER CONTROL FEATURES - Activation Procedures

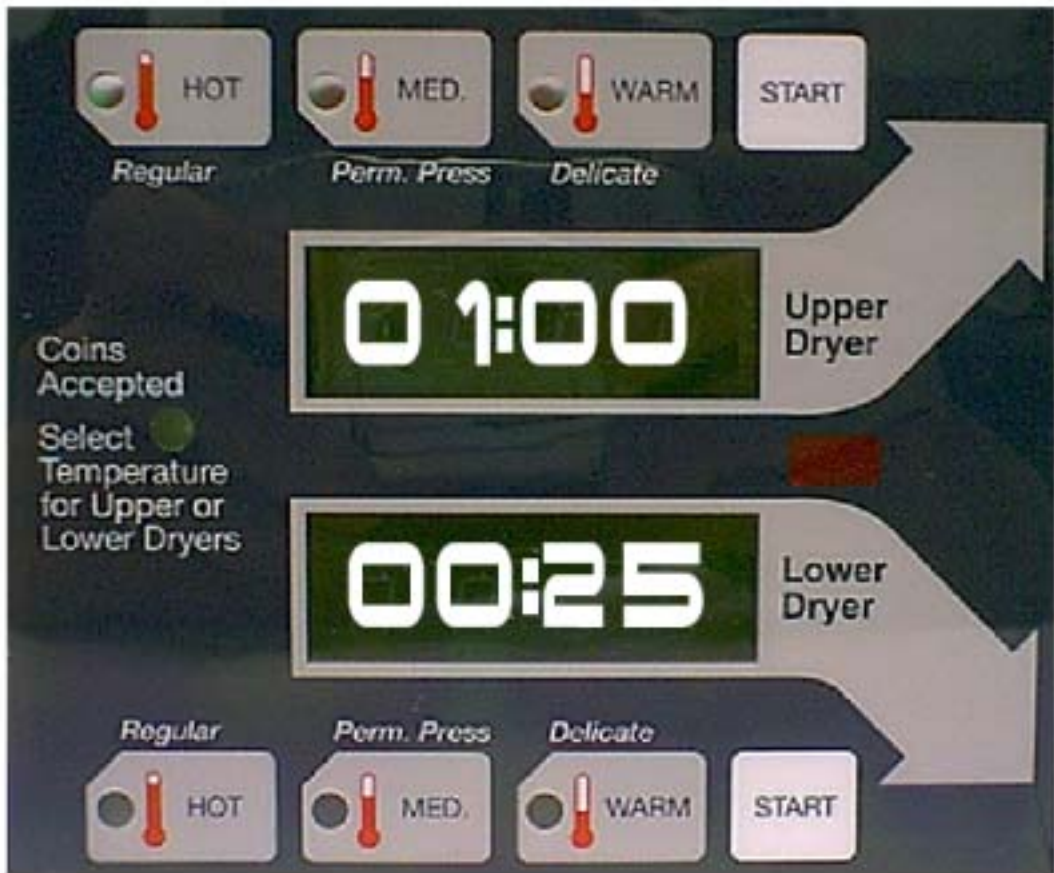


Remove jumper to activate Anti-Wrinkle Feature

Remove jumper to activate Last Temperature Used feature



Battery



PROGRAMMING SWITCH

CHANGING PROGRAMMED DATA : ENTERING PROGRAM MODE

The controller is put into the programming mode by opening both dryer doors and pushing the program switch (shown in a previous pictures) on the back of the controller circuit board. The switch is accessed by unlocking the controller and sliding it out just enough to reach the switch.

PROGRAMMING

The upper display shows the setting for each step of the program as you go through the list. The lower display gives the number of the program step as given on the previous program step chart (00-16).

The lower “**Hot switch**” will advance the controller through the seventeen steps which can be observed or altered. Each step can be identified by the step number in the lower display.

The upper and lower “**Start switches**” increase and decrease the values in the upper display by the increments given in the program step chart.

The lower “**Perm press**” switch will return the value for the step being displayed to the original value given on the program step chart. Note: For the hour meter and the money audit steps this value is zero.

EXITING PROGRAM MODE

The controller remains in the programming mode until one of the following happens:

1. The mode switch is pushed again.
2. The sixteenth and last step of the programming sequence is completed (first step is 00, last step is 16) and the step switch is pushed following this step.
3. Programming is stopped for approximately one minute.
4. The dryer doors are closed.

PROGRAMMING EXAMPLE :

For an example we will change the vend price from \$.25 to \$.50.

STEP

1. Open upper and lower loading doors.
2. Unlock the control tray and carefully slide it about 3 inches out of the machine. Press the program switch behind the vertical portion of the circuit board. Replace and relock the control tray in its original position.
3. Consult program chart to find vend price as step 09. Push lower “Hot” button to advance through steps until 09 is displayed in lower display. Current vend price (25 in this case) will be displayed in upper window.
4. Push upper start button to increase price by increments of 5 until 50 is reached and shows in the upper display.

NOTE: To make any change it is necessary after changing the value to press the lower “Hot” and advance one more step in order for the new value to be entered into the computer memory.

5. Exit the program mode by any of the methods previously mentioned.
6. The displays should now show “50” as the price to start the machine.